

Melt Pressure Transmitter

Model: PT124B-126 (Flange)



Description

PT124B-126 Series Melt Pressure Transmitter (Flange type) adopts special construction design and excellent alloy elastic membrane to reduce the thermal draft and improve measurement accuracy. The zero & full span can be calibrated, with amplify signal be connected with PLC and 80% calibration inside. It has wide application of pressure measurement & control for melt-temp liquid for chemical and fiber equipment, polyester equipment, etc.

Application

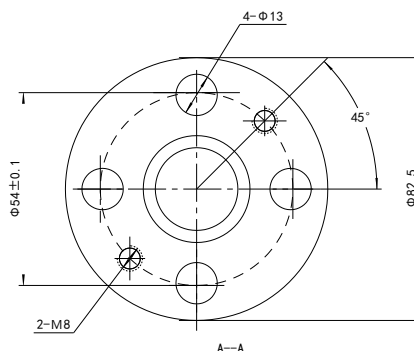
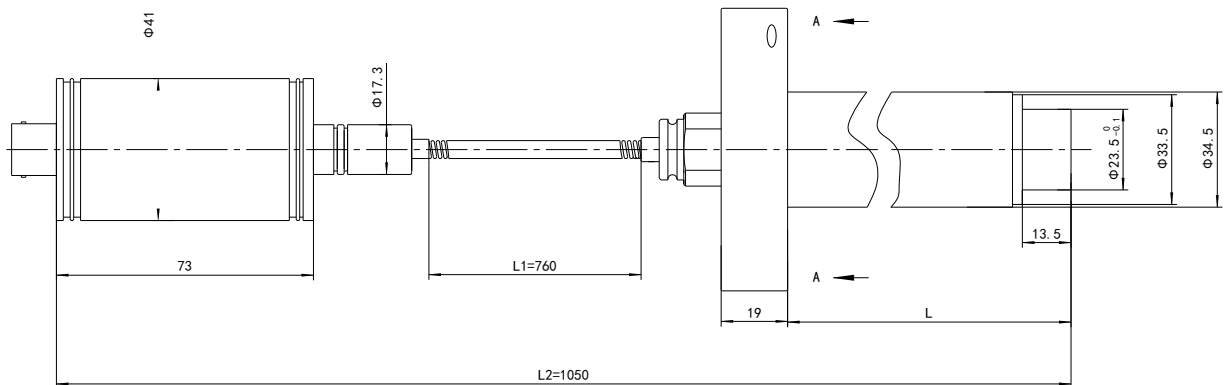
- ◆ Chemical fiber Equipment
- ◆ Polyester equipment
- ◆ Other pressure measurement and control

Feature

- ◆ High-standard quality
- ◆ Stainless steel Seal
- ◆ Easy to install
- ◆ Zero & Span Calibration
- ◆ Internal 80% calibration
- ◆ Excellent stability and repetition



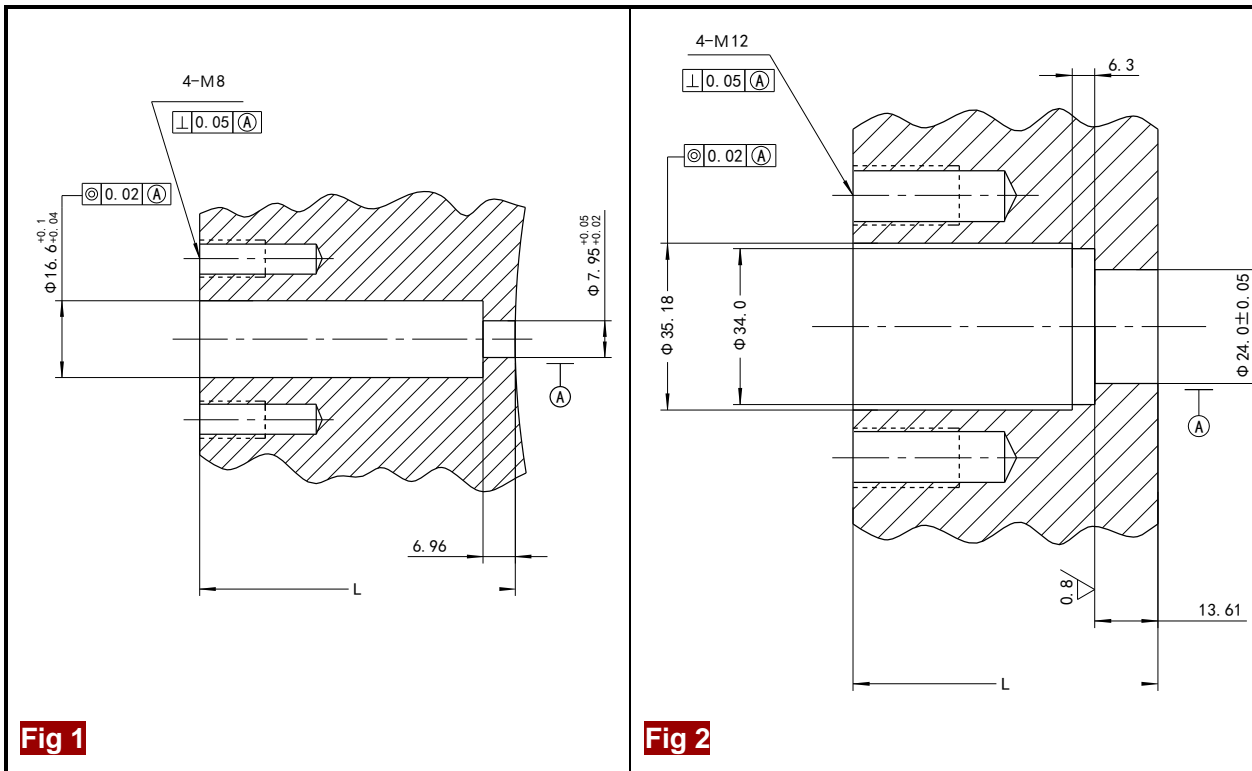
Dimension



PT124B-126

Specification

Range:	0...1MPa to 0...150MPa (0...150psi to 0...20000psi)
Output:	0~5V; 0~10V; 4-20mA
Accuracy:	±0.5%FS
Input voltage:	24 (12-36V) DC
Repeatability:	±0.2%
Construction:	Wheatstone bridge
Bridge resistance:	350 ohms±10%
Overload pressure:	2×FSO
Internal calibration:	80%±1%
Insulation Resistance:	1000Megohms @50Vdc
Max. Diaphragm Temp:	400°C
Electric connector:	5PIN, 6PIN
Process connector:	Flange

Mounting Hole

Ordering Guide

Model	Range(bar)	Output	Screw Thread	Electric connection	Other requirement
PT124B-126	---	---	---	---	---

Example: PT124B-126-500Bar-4/20mA-Flange-6PIN

Shanghai Zhaohui Pressure Apparatus Co., Ltd

5-6F No.8 Building No.115 ,Lane 1276 Nanle Road Songjiang District Shanghai 201600 China
 Tel:+86-21-51691919 67755189 Fax:+86-21-67755185
 E-mail: info@zhyqsensor.com
 www.zhyqsensor.com



Wiring diagram

Output	Function	Color	5PIN		
0/5V;1-5V;	Signal +	Blue	1		
0/10V	Excitation +	Red	2		
0/0.5V	Signal -	White	3		
2.0mV/V	Excitation -	Yellow	4		
	Calibration	Black	5		
Output	Function	Color	5PIN		
4/20mA	Signal+	Blue	1		
	Excitation+	Red	2		
	Calibration	Yellow	4		
	Calibration	Black	5		
Output	Function	Color	6PIN		
0-5V;1-5V;	Signal +	Blue	A		
0-10V;	Signal -	Green	B		
0/0.5V	Excitation +	Red	C		
3.33mV/V	Excitation -	Yellow	D		
	Calibration	Brown	E		
	Calibration	Black	F		
Output	Function	Color	6PIN		
4-20mA	E+ S+	Red	A		
	E- S-	Blue	B		
	Calibration	Yellow	E		
	Calibration	Black	F		
Output	Function	Color	8PIN		
0-5V;1-5V;	Excitation +	Red	A		
0-10V;	Signal +	Blue	B		
0/0.5V	Excitation -	Yellow	C		
3.33mV/V	Signal -	Green /White	D		
	Calibration	Brown	E		
	Calibration	Black	F		
	Blank	--	G, H		
Output	Function	Color	8PIN		
4-20mA	E+ S+	Red	A		
	E+ S+	Blue	B		
	Calibration	Yellow	E		
	Calibration	Black	F		

Shanghai Zhaohui Pressure Apparatus Co., Ltd

5-6F No.8 Building No.115 ,Lane 1276 Nanle Road Songjiang District Shanghai 201600 China
 Tel:+86-21-51691919 67755189 Fax:+86-21-67755185
 E-mail: info@zhyqsensor.com
 www.zhyqsensor.com

