



Tech-Quality Co.,Ltd

A Brand You Can Trust • Instrument & Testing Machine

BRAYO

By Tech Quality Co.,Ltd.

Spot Welding force gauge



Ordering Information



Tech-Quality Co.,Ltd.



Call : +662-3286878



2/13 Sukapiban 2 Rd.,
Pravet,Pravet, Bangkok
10250 Thailand



+662-3286818



www.tech-quality.com



info@tech-quality.com

@techquality



Digital Electrode Force Gauge



Features

- NEW DEFG Series Suitable for welding force measurement of spot welding machine
- Accuracy: $\pm 0.3\%$ FS
- Ergonomic, durable, heavy-duty metal construction
- Lighter weight, more suitable for handheld operation
- Selectable Units : kN, N, kgf, and lbf
- Data USB upload function
- Record print function (a mini printer optional)

Specification

Accuracy : $\pm 0.3\%$ F.S.

Selectable Units : N, kN, kgf and lbf. (Selectable)

Display : 160*128 dot matrix LCD with LED Backlight

Overload Capacity : 120% F.S.

Overload Protection Overload Protection Mechanism

Measurement Mode Track, Peak, PreSet

Sampling Rate : 6000 Hz

Memory : 1000 data

Power 3.6VDC Ni-MH rechargeable batteries

Battery Life : Approx. 8 hours per charge

Charger/Adaptor : Universal USB/BM charger,

Input : 110~240VAC

Outputs : USB, overload output

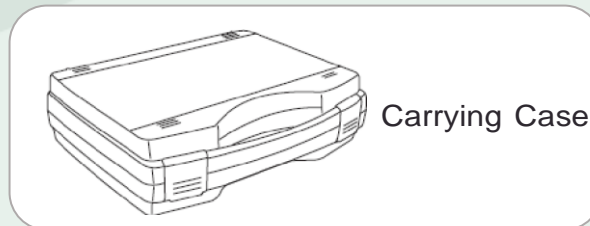
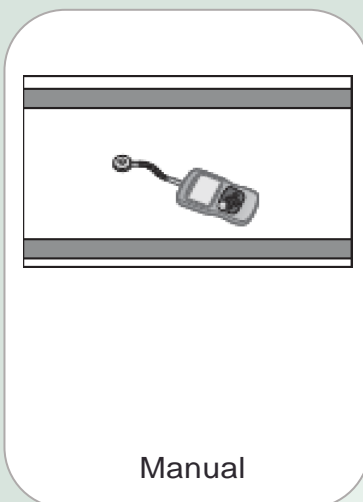
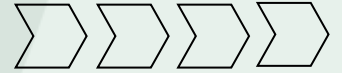
Dimensions : 150*72*330mm

Weight : 1.05 kg

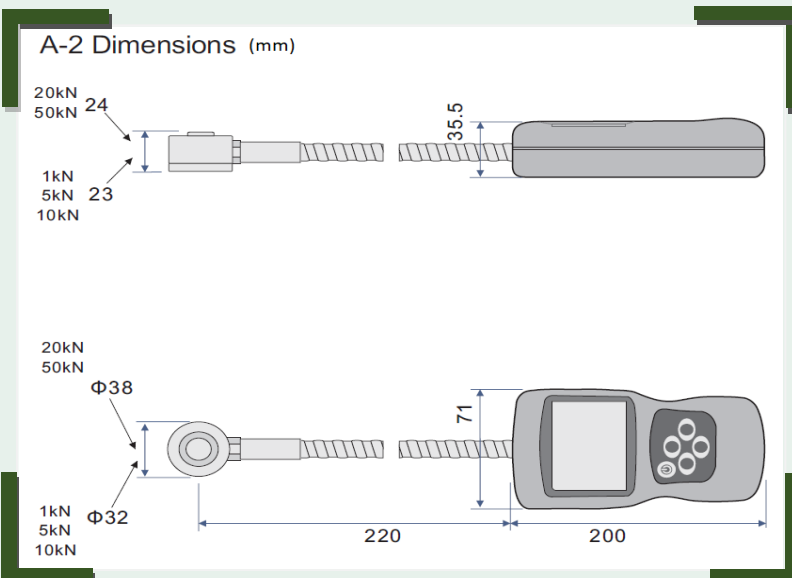


Model		DEFG1K	DEFG5K	DEFG10K	DEFG20K	DEFG50K
Capacity / Resolution	N	1000 / 1	5000 / 1	-	-	-
	KN	1 / 0.001	5 / 0.001	10 / 0.01	20 / 0.01	50 / 0.01
	KGF	100 / 0.1	500 / 0.1	1000 / 1	2000 / 1	5000 / 1
	LBF	220 / 0.1	1100 / 1	2250 / 1	4500 / 1	1.1k / 0.01k

Complete Kit



Optional Accessories



Mini Thermal printer

Paper roll width 58 mm
 Paper roll diameter ≤ 30mm
 Power Ni-HM battery, 700mAh
 Dimension 90X76X36mm
 Weight 220g (except paper roll)