

# Melt Pressure Gauge

Model: PT124Y-613 (Electric contact)



## Description

PT124Y-613 adopts the original packaging machine stamen with signal and electric contact output, and designed with all stainless steel structure, isolated diaphragm and local index display. With dial plate's step-up and stem-down versions, the gauge head can be rotated 360° for unobstructed viewing.

## Application

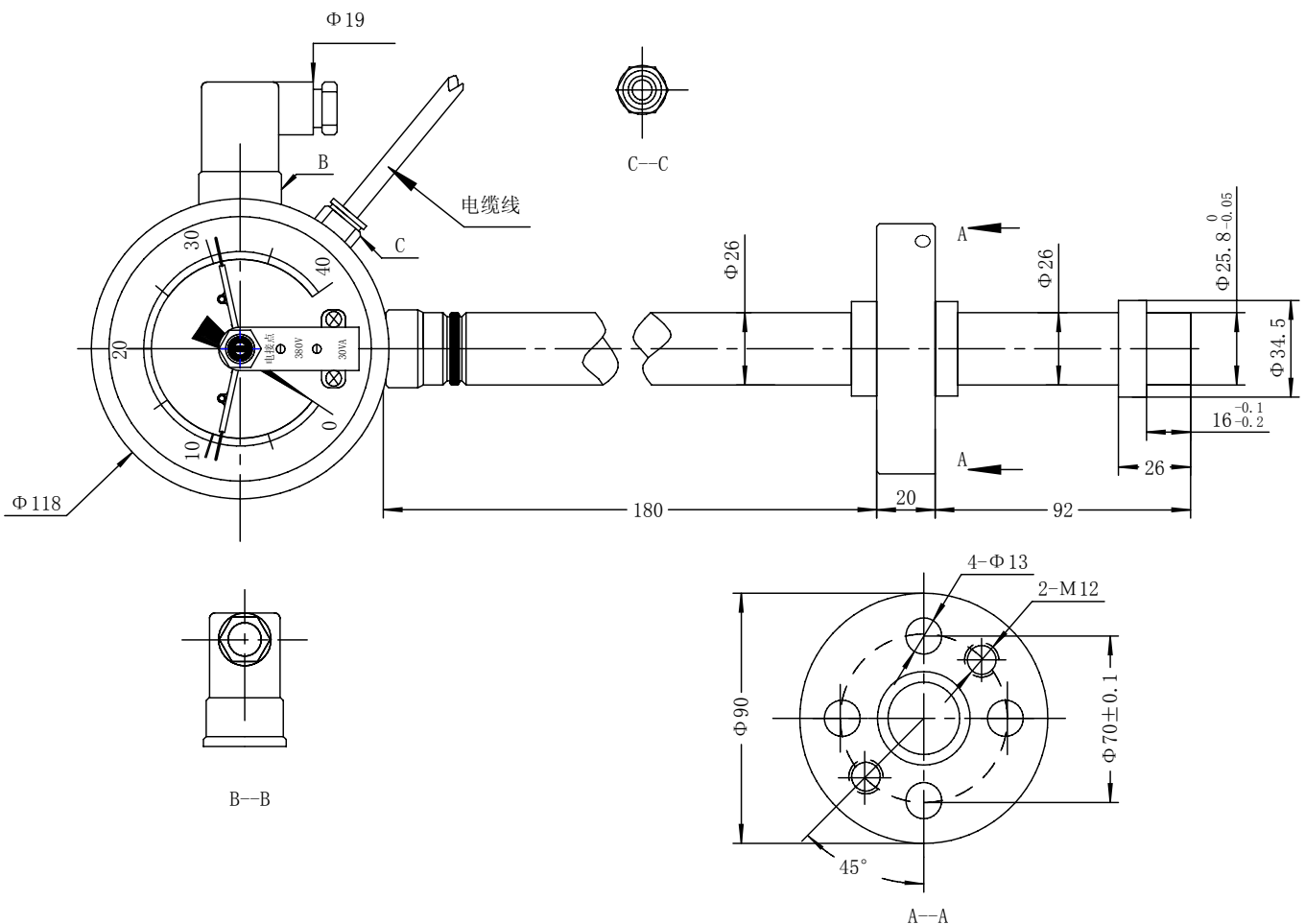
- ◆ Chemical fibre and filature
- ◆ Rubber & plastic machinery
- ◆ The equipment of high temperature steam

## Feature

- ◆ Direct, local reading
- ◆ Mechanical design
- ◆ Step-up and stem-down version
- ◆ Customer defined pressure gauge
- ◆ Install easily, high reliability
- ◆ Zero adjustment
- ◆ Alarm relay



## Dimension



PT124G-613

ZHYQ Sensor&Control

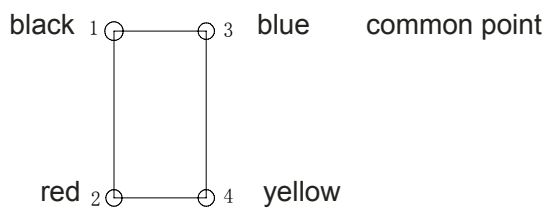
Page 1 of 2

## Specification

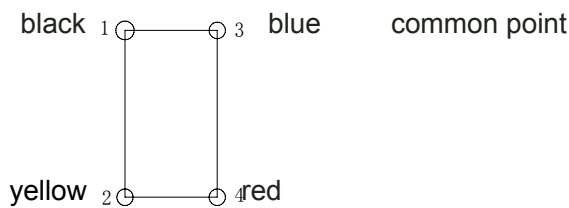
Range:	0...6MPa to 0...150MPa
Output:	Contact switch signal
Accuracy:	±1.6%FS
Input Voltage:	Bourdon tube
Configuration:	1.5×FS
Over Pressure:	350°C
Max Diaphragm Temperature:	100mm
Electric Connector:	5 Pin or 6 Pin connector, DIN43650-A
Process Connector:	1/2"-20UNF, M14×1.5, M18×1.5 (Optional)

## Setting

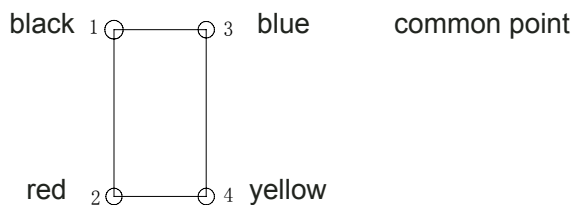
1. upper alarm limits setting:



2. lower alarm limits setting:



3. upper and lower alarm limits setting:



## Ordering Guide

Model	Range	Output	Snout length	Process connector	Other requirement
PT124Y-613	---	---	---	---	---

Example: PT124Y-613-350Bar-6"-1/2-20UNF-6Pin

**Shanghai Zhaohui Pressure Apparatus Co., Ltd.**

5-6F No.8 Building No.115 ,Lane 1276 Nanle Road Songjiang District Shanghai 201600 China

Tel:+86-21-51691919 67755189 Fax:+86-21-67755185

E-mail: info@zhyqsensor.com

www.zhyqsensor.com

