

Melt Pressure Gauge

Model: PT124Y-612 (Rigid Stem with output)



Description

PT124Y-612 adopts the original packaging machine core, and designed with all stainless steel structure, isolated diaphragm and local index display. With dial plate's step-up and stem-down versions, the gauge head can be rotated 360° for unobstructed viewing. This model has various signal output modes.

Application

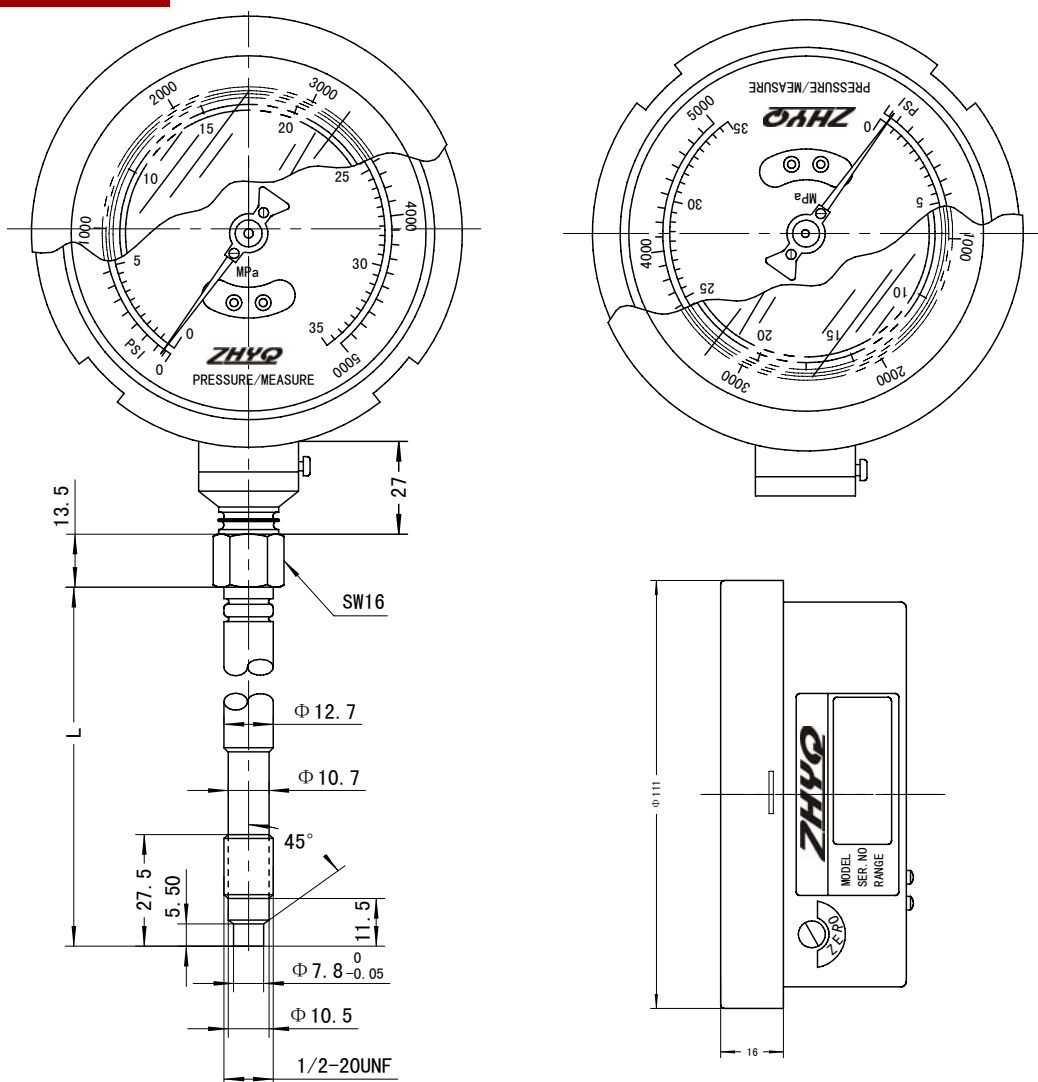
- ◆ Chemical fiber and filature
- ◆ Rubber & plastic machinery
- ◆ Equipment of high temperature steam

Feature

- ◆ Direct local reading
- ◆ Stem-up and stem-down version
- ◆ Customer defined pressure gauge
- ◆ Install easily, high reliability
- ◆ Zero adjustment
- ◆ With signal output



Dimension



PT124Y-612

Specification

Range:	0...6MPa to 0...150MPa
Output:	0~5V; 0~10V; 4~20mA; 2mV/V; 3.33mV/V
Accuracy:	±1.6%FS
Input Voltage:	24VDC (12~36)VDC;10VDC
Configuration:	Bourdon tube
Over Pressure:	1.5×FS
Max Diaphragm Temperature:	260℃
Electric Connector:	6 Pin Connector, DIN63650-A
Process Connector:	1/2"-20UNF, M14×1.5, M18×1.5 (Optional)

Installation Drawing

<p>Planar Sealed</p>	D1	M22×1.5	M28×1.5	G3/4"	PT3/8"
	D2	Φ 16.1	Φ 18.3	Φ 18.3	Φ 10.3
	D3	Φ 20.1	Φ 26.1	Φ 24.2	Φ 14.9
	M	Φ 23	Φ 30	Φ 21	Φ 11
	A	11	12	12	14
	B	12	15	15	19
	C	40	35	35	40
<p>45° Slope Sealed</p>	D1	M12×1.5	M14×1.5	1/2-20UNF	M18×1.5
	D2	Φ 8	Φ 8	Φ 8	Φ 10.1
	D3	Φ 10.8	Φ 12.5	Φ 11.5	Φ 16.1
	D4	Φ 12.5	Φ 14.5	Φ 13.1	Φ 20
	A	6	6	6	6.5
	B	9	9.5	9.5	10

Ordering Guide

Model	Range	Output	Snout Length	Electric connection	Process connection
PT124Y-612	---	---	---	---	---

Example: PT124Y-612-350Bar-3.33mv/v-6"-1/2-20UNF-DIN43650-A

Shanghai Zhaohui Pressure Apparatus Co.,Ltd

5-6F No.8 Building No.115 ,Lane 1276 Nanle Road Songjiang District Shanghai 201600 China
 Tel:+86-21-51691919 67755189 Fax:+86-21-67755185
 E-mail: info@zhyqsensor.com
 www.zhyqsensor.com

