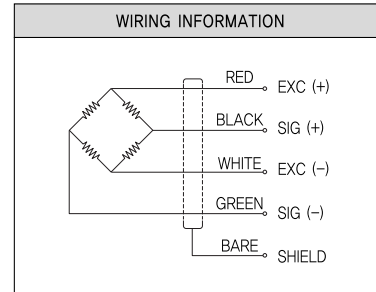
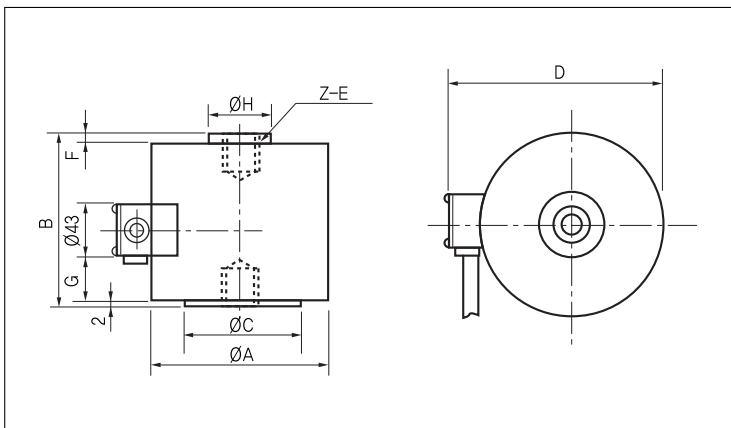


TENSION LOAD CELL

> Model TX

High Accuracy Tension Service.
Hopper, Tank Weighing.
Protection Class IP67



> SPECIFICATIONS

Specifications	TXH	TXM	TXG
Rated capacity(R.C.)	1tf, 2tf, 3tf, 5tf, 10tf, 20tf	100kgf, 200kgf, 500kgf, 1tf, 2tf, 3tf, 5tf, 10tf, 20tf	100kgf, 200kgf, 500kgf, 1tf, 2tf, 3tf, 5tf, 10tf, 20tf, 50tf, 100tf
Rated output(R.O.)	2.0mV/V±0.1%	2.0mV/V±0.1% (50tf~500tf 1.5mV/V)	2.0mV/V±0.1% (50tf~500tf 1.5mV/V)
Nonlinearity	0.02% of R.O.	0.05% of R.O.	0.1% of R.O.
Hysteresis	0.02% of R.O.	0.05% of R.O.	0.1% of R.O.
Repeatability	0.02% of R.O.	0.05% of R.O.	0.1% of R.O.
Zero balance	±1% of R.O.	±1% of R.O.	±1% of R.O.
Temperature effect, on rated output	0.03% of LOAD/10°C	0.03% of LOAD/10°C	0.1% of LOAD/10°C
Temperature effect, on zero balance	0.03% of R.O./10°C	0.03% of R.O./10°C	0.1% of R.O./10°C
Temperature range, compensated	-10~60°C	-10~60°C	-10~60°C
Temperature range, safe	-20~80°C	-20~80°C	-20~80°C
Terminal resistance input	350±5Ω	350±5Ω	350±5Ω
Terminal resistance output	350±5Ω	350±5Ω	350±5Ω
Insulation resistance bridge/case	5000MΩ	5000MΩ	5000MΩ
Excitation recommended	10V	10V	10V
Safe overload	150%	150%	150%
Cable length	Ø7.5mm 4core, 3m	Ø7.5mm 4core, 3m	Ø7.5mm 4core, 3m

> DIMENSIONS TABLE

unit:mm

Capacity	ØA	B	ØC	D	E	F	G	ØH	Weight(kg)
100kgf (980.7N)	88	107	50	118	M12×1.25 DP15	4	25	24	3
200kgf (1.961kN)	88	107	50	118	M12×1.25 DP15	4	25	24	
500kgf (4.903kN)	88	107	50	118	M12×1.25 DP15	4	25	24	
1tf (9.807kN)	88	107	50	118	M12×1.25 DP15	4	25	24	5
2tf (19.61kN)	88	150	66	118	M24×2 DP30	5	42	30	
3tf (29.42kN)	88	150	66	118	M24×2 DP30	5	42	30	
5tf (49.03kN)	88	150	66	118	M24×2 DP30	5	42	30	11
10tf (98.07kN)	137	220	66	167	M39×2 DP50	8	65	62	
20tf (196.1kN)	137	240	66	167	M50×2 DP65	8	75	62	
50tf (490.3kN)	213	410	130	245	M76×3 DP115	25	140	116	11
100tf (980.7kN)	267	500	192	315	M100×3 DP150	25	250	196	

*Specifications are subject to change without notice.