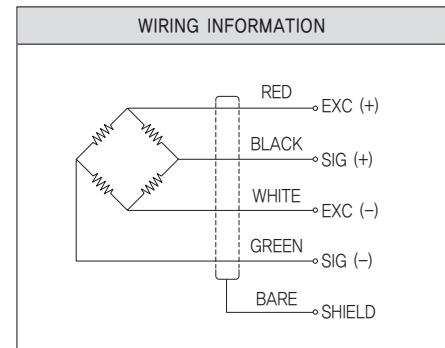
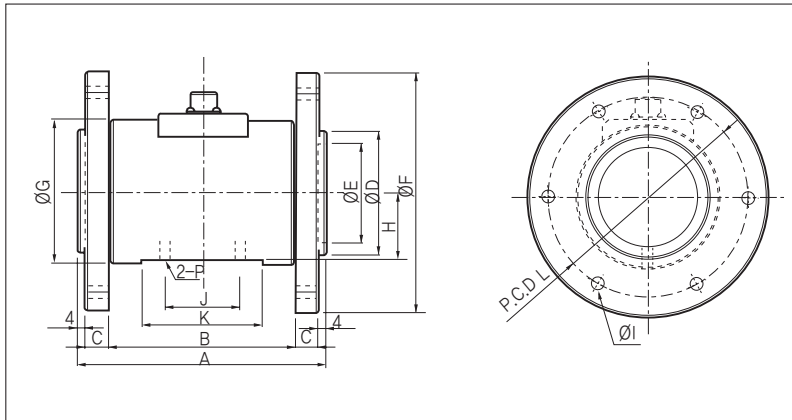
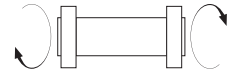


# FLANGE TYPE ROTARY TORQUE SENSORS

## > Model TRE

Model TRE slipping rotating torque transducers have flange drives at both ends. This model is designed for the application with minimal space and high capacity requirement.



## > SPECIFICATIONS

Specifications	Accuracy
Rated capacity	20kgf~500kgf-m (196.1N-m~4.903kN-m)
Rated output	1.5mV/V±1%
Nonlinearity	0.3%
Hysteresis	0.3%
Repeatability	0.3%
Terminal resistance, input	350Ω ±5Ω
Terminal resistance, output	350Ω ±3Ω
Insulation resistance	300MΩ
Temperature range compensated	-10°C~60°C
Temperature range safe	-20°C~70°C
Temperature effect, on rated output	0.2% Load/10°C
Temperature effect, on zero balance	0.3% R.O/10°C
Excitation recommended	10V DC
Safe overload	150% R.C
Cable	Ø7 Shield 3m

## > DIMENSIONS TABLE

unit:mm

Model	Capacity	A	B	C	ØD	ØE	ØF	ØG	H	I	J	K	L	P	R.P.M
TRE-20K	20kgf-m (196.1N-m)	130	98	12	65	52	127	81	38	6-Ø6.5	50	64	105	M6 DP.8	5,000
TRE-50K	50kgf-m (490.3N-m)	134	102	12	76	62	136	88	41.5	6-Ø8.5	40	64	114	M6 DP.8	4,000
TRE-100K	100kgf-m (980.7N-m)	134	102	12	86	68	156	100	48	8-Ø10.5	48	64	130	M8 DP.8	4,000
TRE-200K	200kgf-m (196.1kN-m)	148	108	16	102	75	172	116	56	8-Ø10.5	50	68	146	M8 DP.8	3,000
TRE-300K	300kgf-m (2,942kN-m)	148	108	16	102	75	172	116	56	8-Ø10.5	50	68	146	M8 DP.8	3,000
TRE-500K	500kgf-m (4,903kN-m)	150	102	16	107	81	184	128	62	8-Ø10.5	56	74	158	M8 DP.8	3,000

★Specifications are subject to change without notice.