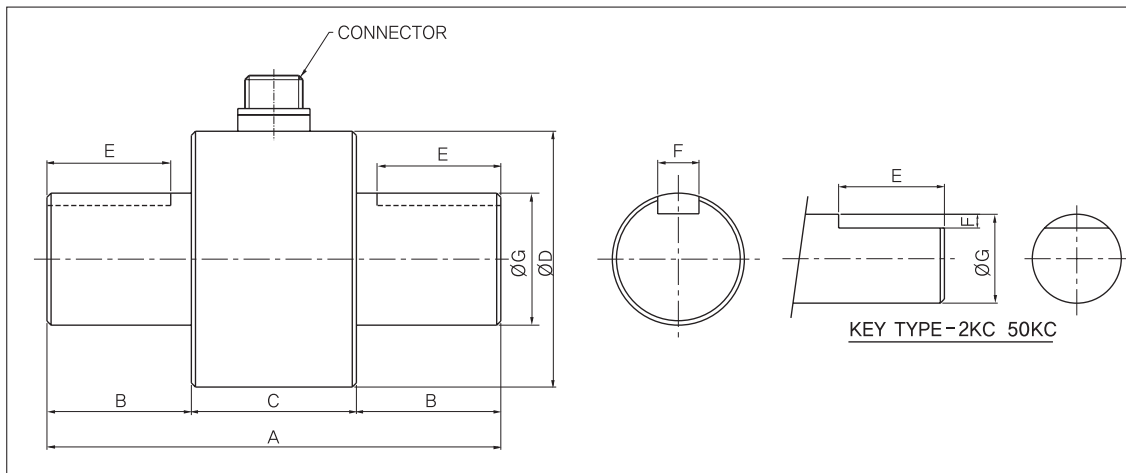
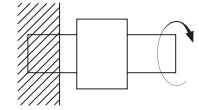


Non-Rotary Torque Sensors

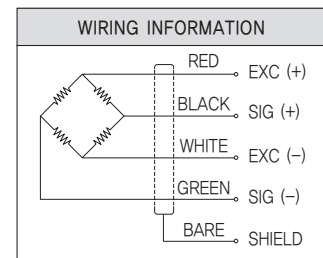
>Model TCN15

A static torque sensor for measurement of torque of stationary objects or within a certain angle rotation. Suitable for torque measurement of various automobile parts, pneumatic and electric screwdriver etc.



>SPECIFICATIONS

| Specifications | Accuracy |
|------------------------------------|--|
| Rated capacity(R.C.) | 2~50kgf-cm(0.196N-m~4.903N-m), 1~100kgf-m(9.807N-m~980N-m) |
| Rated output(R.O.) | 1mV/V±1% |
| Nonlinearity | 0.3% of R.O. |
| Hysteresis | 0.2% of R.O. |
| Repeatability | 0.1% of R.O. |
| Excitation recommended | 10V DC |
| Temperature effect on zero balance | 0.3% R.O./10°C |
| Temperature effect on rated output | 0.2% LOAD/10°C |
| Safe overload | 120% R.C. |



>DIMENSIONS TABLE

unit:mm

| Capacity | A | B | C | ØD | E | F | G |
|---------------------|-----|----|----|----|----|------|----|
| 2kgf-cm (0.196N-m) | 75 | 20 | 35 | 34 | 15 | 1 | 8 |
| 5kgf-cm (0.490N-m) | 75 | 20 | 35 | 34 | 15 | 1 | 8 |
| 10kgf-cm (0.981N-m) | 75 | 20 | 35 | 34 | 15 | 1 | 8 |
| 20kgf-cm (1.961N-m) | 75 | 20 | 35 | 34 | 15 | 1 | 8 |
| 30kgf-cm (2.942N-m) | 75 | 20 | 35 | 34 | 15 | 1 | 12 |
| 50kgf-cm (4.903N-m) | 75 | 20 | 35 | 34 | 15 | 1 | 12 |
| 1kgf-m (9.807N-m) | 82 | 21 | 40 | 40 | 16 | 5×5 | 18 |
| 2kgf-m (19.61N-m) | 82 | 21 | 40 | 40 | 16 | 5×5 | 18 |
| 3kgf-m (29.42N-m) | 82 | 21 | 40 | 43 | 16 | 5×5 | 18 |
| 5kgf-m (49.03N-m) | 82 | 21 | 40 | 43 | 16 | 5×5 | 18 |
| 10kgf-m (98.07N-m) | 110 | 35 | 40 | 62 | 30 | 10×8 | 32 |
| 20kgf-m (196.1N-m) | 110 | 35 | 40 | 62 | 30 | 10×8 | 32 |
| 50kgf-m (490.3N-m) | 155 | 55 | 45 | 84 | 50 | 12×8 | 47 |
| 100kgf-m (980N-m) | 155 | 55 | 45 | 84 | 50 | 12×8 | 47 |

★Specifications are subject to change without notice.