

DIGITAL INDICATOR

Model DN-10W, DN-15W

The product have designed specifically to operate with strain gauge sensors such as Fast-measurement of Load cell, Pressure Transducer, LVDT, etc. The setup sequence is simple and quick using four push buttons only.

- High resolving power (16bit A/D)
- High precision (more than 0.012% F.S) and stability
- Quick sampling speed (100 times/sec)
- Built-in Shunt calibration switch
- Watch dog
- Calibration of actual load and sensor output value
- Peak hold and Sample hold
- Auto zero
- Small size (96×48×128mm),
- Weight : about 700g

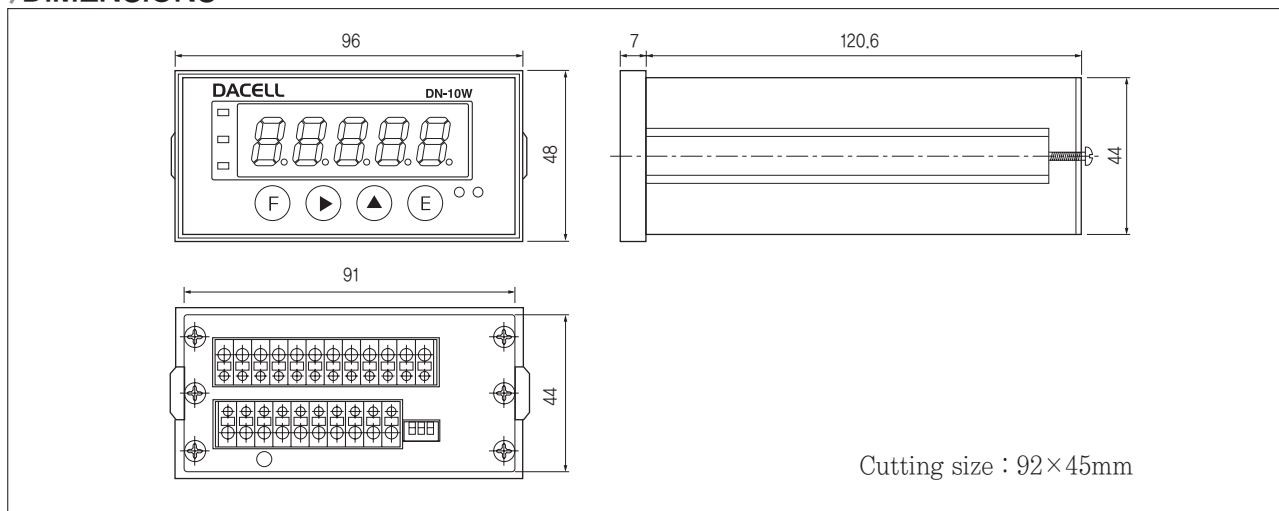


SPECIFICATIONS

Specification	Accuracy	
	DN15W	DN10W
Application sensor	Strain gauge sensor (350Ω or 700Ω)	
Sensor authorized voltage(the number of Loadcell connection)	DC 5V, Loadcell(350Ω) available 4	
Zero adjustment range	100% F - S (Auto Zero)	
Input signal	0.5 ~ 3mV/V	
Display	-19999 ~ 99999	
Display speed	Approx 30times/sec(Adjustment available by buff setting)	
Character height	7Segment 5 digit LED 14mm	
Decimal point	Random setting available	
A/D converter	16bit, Max. 100 times/sec	
D/A converter	12bit	
Zero variation	within 0.5μV/°C	
Sensitivity variation	within 0.01%/°C	
Usage temperature range	-10°C ~ 60°C	
Humidity	less than 80% RH (no dew condensation)	
Voltage output	DC 0~10V (4~20mA : in accordance with customer request)	
Power source used	220V 50/60Hz (110V available by internal operation)	
Relay output	- Upper and lower limit comparison output • 4 relay output • Contact capacity : AC 250V 5A • Relay life time : more than 5,000,000 times	
Network	RS-232C	
Option	• BCD Paralle out (OP-01) • RS485 (OP-02) • Input signal 5mV/V (DLH-A) (OP-05) • Power 24VDC (OP-06)	

DIMENSIONS

unit:mm



★Specifications are subject to change without notice.