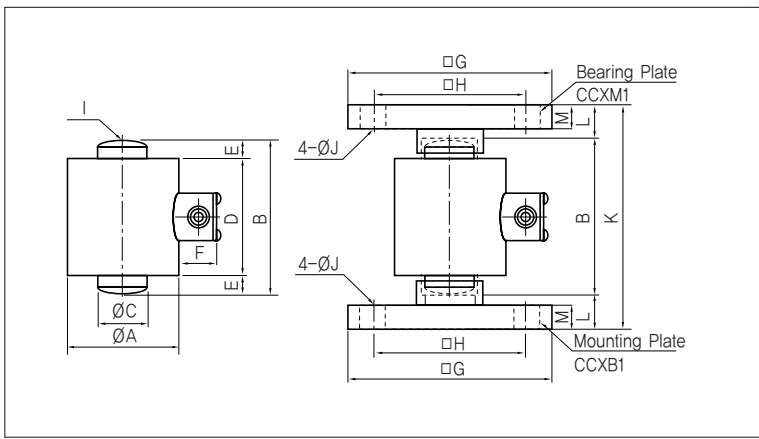
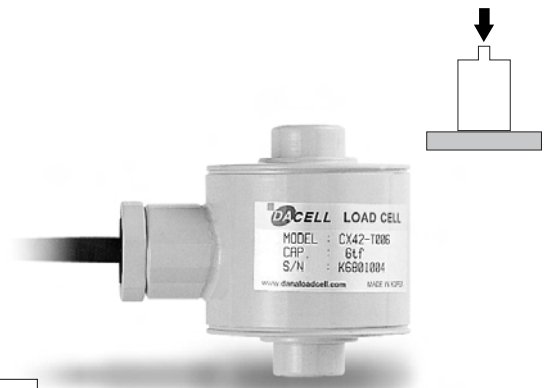


COMPRESSION LOAD CELL

Model CCX

The model CCX Loadcell is heavy duty weighing applications, including hoppers, tanks, silos and high capacity scales. Protection Class IP67

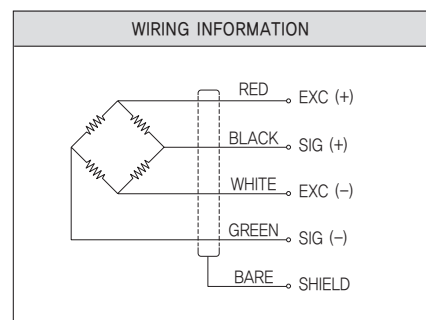
- Insensitive to side load
- Double convex type
- Robust high capacity design



ORDERING INFORMATION	
CCX - T10 - FS	: Full sets (CCXM1 and CCXB1) └─ CAPACITY
CCX - T10 - LC	: Only Loadcell └─ CAPACITY

SPECIFICATIONS

Specifications	Accuracy
Rated capacity(R.C)	5tf, 10tf, 20tf, 30tf, 50tf, 100tf, 200tf, 300tf, 500tf
Rated output(R.O)	1.5 mV/V±0.5%
Nonlinearity	0.1% of R.O.
Hysteresis	0.1% of R.O.
Repeatability	0.05% of R.O.
Creep(30min)	0.05% of R.O. / 20min
Zero balance	1% R.O.
Temperature effect, on rated output	0.03% of LOAD/10°C
Temperature effect, on zero balance	0.03% of R.O./10°C
Temperature range, compensated	-10~60°C
Temperature range, safe	-20~80°C
Terminal resistance input	350±5Ω
Terminal resistance output	350±5Ω
Insulation resistance	2000MΩ
Excitation recommended	10V DC
Safe overload	150% R.C.
Cable length	∅7±, 4coreshield, 5m



DIMENSIONS TABLE

unit:mm

Capacity	A	B	C	D	E	F	G	H	J	K	L	M	RI	Weight(kg)
5tf (49.03kN)	45	56	16.5	40	8	30	100	80	10.5	116	30	19	60	3
10tf (98.07kN)	88	120	24	90	15	30	140	100	18	180	30	19	140	7.8
20t (196.1kN)	88	120	38	90	15	30	140	100	18	190	35	22	140	9.6
30tf (294.2kN)	93	140	38	110	15	30	200	150	23	220	40	25	140	20.2
50tf (490.7kN)	137	180	50	140	20	30	200	150	23	280	50	25	180	24.5
100tf (980.7kN)	166	240	70	200	20	30	220	160	27	356	58	32	200	42.7
200tf (1.961MN)	216	260	95	210	25	30	280	220	39	396	68	40	300	86.4
300tf (2.942MN)	216	340	120	290	25	30	300	220	45	492	76	50	600	150.0
500tf (4.903MN)	265	390	155	330	30	30	380	280	50	568	89	65	800	253.1

★Specifications are subject to change without notice.