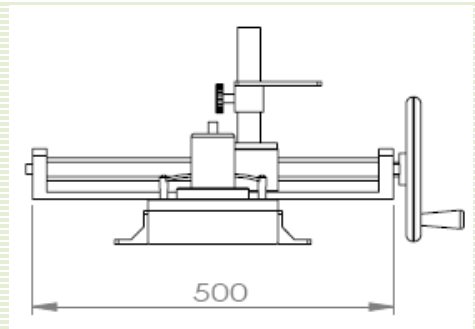
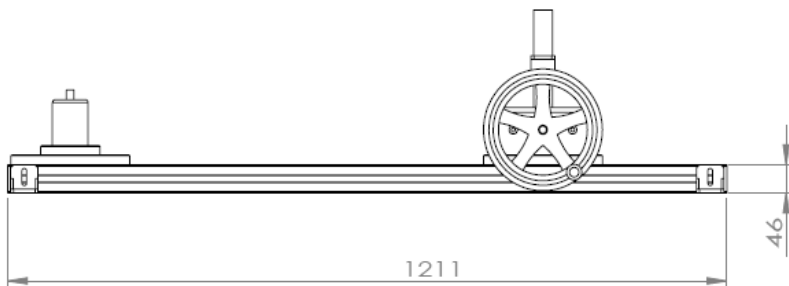
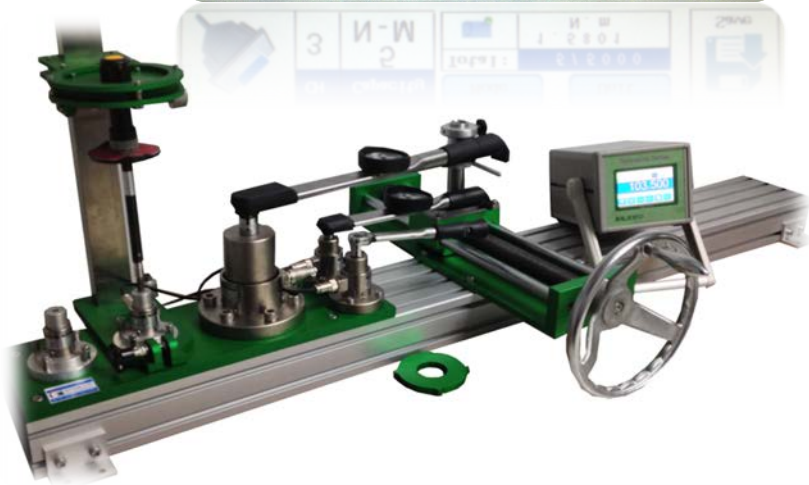
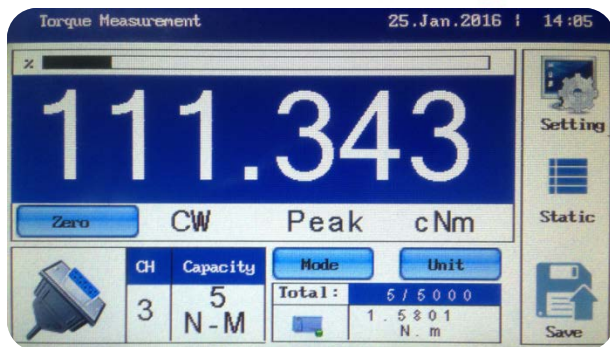


BRAVO

By **Tech Quality Co.,Ltd.**



New Torque Wrench Calibrator

The **BRAVO TorqueCal Series** Calibration Device for torque wrenches is characterized by high torque accuracy Model : TorqueCal Series

Meets Standard

The calibration device provides the necessary metrological characteristics and driving procedures to accomplish tests according to EN ISO 6789 or other test methods

Advanced Technical Features in Each Model

- Full Color Touch Screen display
- Fully Bipolar Range +/- 999,999 Display.
- Bar Graph Display
- High Accuracy +/- 0.5% FS
- 10KHz sampling frequency
- USB Communication Port.
- 10 Point Calibration Linearization.
- First Peak Mode, Peak Mode & Track
- Sensor automatic recognition
- 5,000 of test data storage
- Statistic report
- Torque measurement units : N-m, cN-m, Lbf-in, Kg-f-m, Kg-f-cm
- Transducer capacity :
- 1,5,10,20,50,100,200,300,500,1,000 Nm

Specifications

Range from 1 Nm to 1,000 Nm.

Accuracy : 0.5% FS

Nonlinearity : 0.3% of R.O.

Hysteresis : 0.2% of R.O

Temp Compensated : 0.3% R.O./10 °C

Safe overload : 120% R.C.

Transducer up to 20 unit

Power Requirements: 220Vac/50Hz

Ordering Information

Tech Quality Co.,Ltd.

2/13 Sukapiban 2 Rd., Pravet , Pravet,
Bangkok 10250 Thailand

Tel : +662 328 6878 (Auto 4 Line)

Fax : +662 328 6818

www.tech-quality.com

email: info@tech-quality.com

**Specifications are subject to change without notice