



MOTORIZED TEST STAND

A Brand You Can Trust

BRAVO
By *Tech Quality Co.,Ltd.*

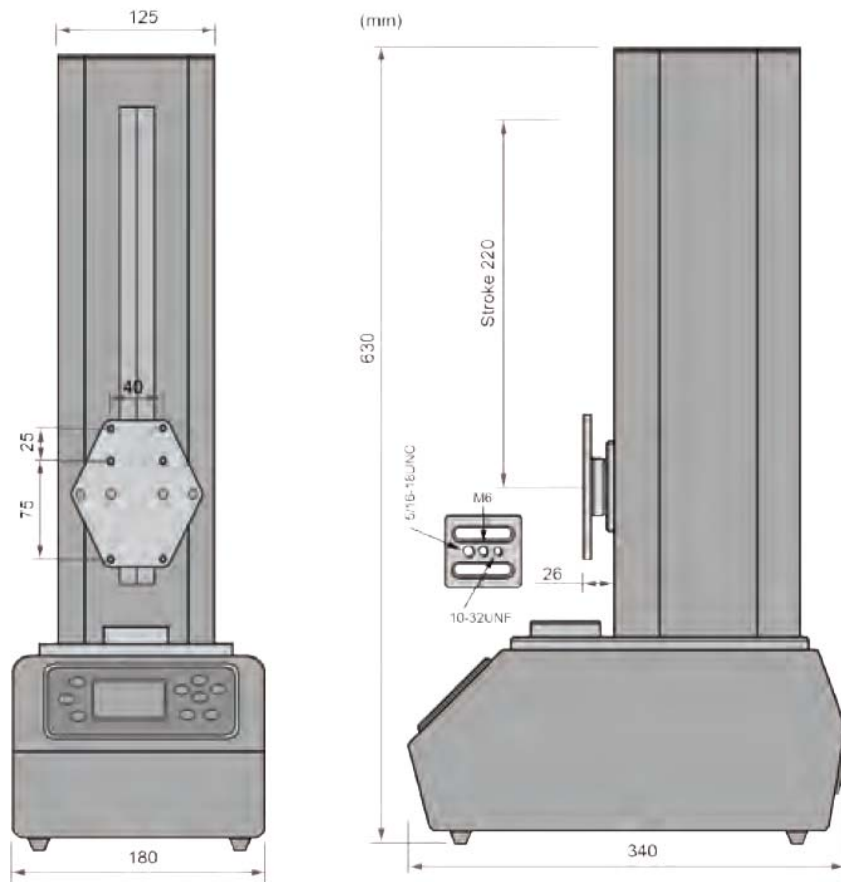
The MTD series is well adapted for production environments. This low cost, motorized, ergonomic tester attached with our "BRAVO" DFG Series digital force gauges makes tensile, compression, peel, seal and flexural testing of your samples an easy task.

Features

- *Multiple operation modes: Manual, Auto Cycle, Break detect
- *Demo(Teaching & Playback).
- *Multiple output & input: USB, RS232, Set point.
- *Multiple protection: Force gauge setpoint, Limit switch, Locked rotor.
- *Force gauge data integration capability.

Specification

Test Mode	Auto/Manual
Crosshead Travel	270 mm
Test Speed	30~720mm/min
Speed Accuracy	± 3%
Machine Capacities	650 N
Display	Dot matrix LCD with backlight
Signal Output	USB(to PC)
Power Supply	100~230 VAC(1 A)
Dimensions:	340*180*630mm Weight: 15.5Kg



www.tech-quality.com

info@tech-quality.com

LINE : @techquality

Tel : 02 328 6878

